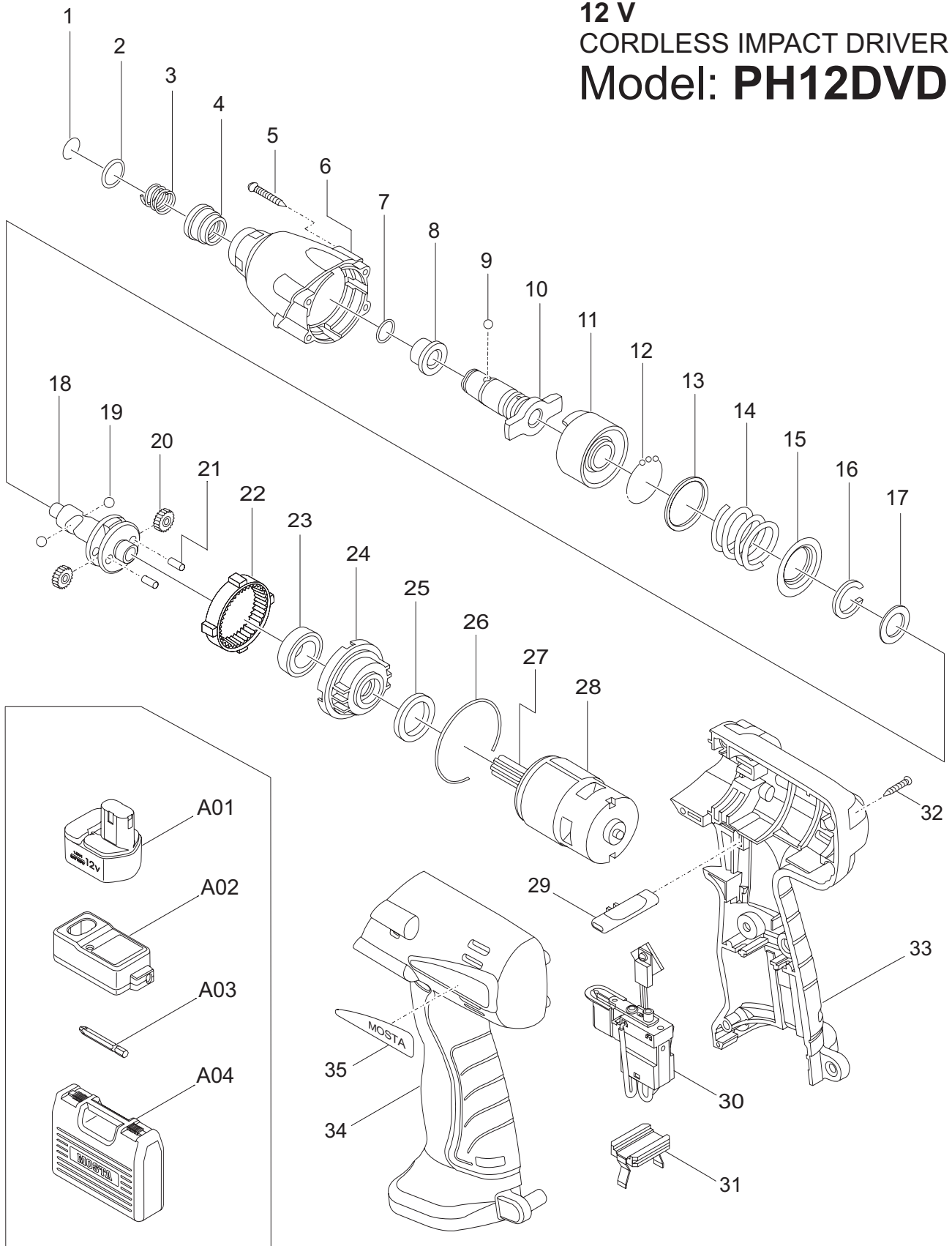


Parts Diagram

12 V
CORDLESS IMPACT DRIVER
Model: PH12DVD



DC1020301-0610

Item	Parts Number	Parts Description	Quantity	Remarks
1	309029	RING SPRING	1	
2	309030	FLAT WASHER	1	
3	309031	COMPRESSION SPRING	1	
4	309032	SLEEVE	1	
5	309025	TAPPING SCREW	4	
6	309033	HAMMER CASE	1	
7	409007	WASHER	1	
8	309034	STEEL SLEEVE	1	
9	309035	STEEL BALL D3.5	1	
10	309036	ANVIL	1	
11	309037	HAMMER	1	
12	309038	STEEL BALL D3	31	
13	309039	FLAT WASHER	1	
14	309040	COMPRESSION SPRING	1	
15	309041	CUP WASHER	1	
16	409012	STOPPER	1	
17	309042	FLAT WASHER	1	
18	309043	SPINDLE	1	
19	309044	STEEL BALL D5.6	2	
20	309045	SPUR GEAT	2	
21	309046	PIN	2	
22	309026	INTERNAL GEAT	1	
23	309048	BALL BEARING	1	
24	409008	INTERNAL GEAR CASE	1	
25	409009	DAMPER	1	
26	309027	RING SPRING	1	
27	309049	MOTOR GEAR	1	
28	609100K-8	DC MOTOR	1	Incl. 27
29	499034	F/R CHANGE LEVER	1	
30	699011K-4	SWITCH	1	
31	499000K-3	BATTERY HOLDER	1	
32	309056	TAPPING SCREW	7	
33	402000K-5	HOUSE SET (R)	1	Incl. 34
34	402000K-5	HOUSE SET (L)	1	Incl. 33
35	513000K-2	LABEL	1	"MOSTA"

ACCESSORIES

A01	119230K-5	BATTERY (FEC10S)	2	1500mAh Ni-Cd
A02	119101K-2	CHARGER (MH9712)	1	
A03	399003	BIT 2# +	1	
A04	500101K-2	PLASTIC TOOL CASE	1	