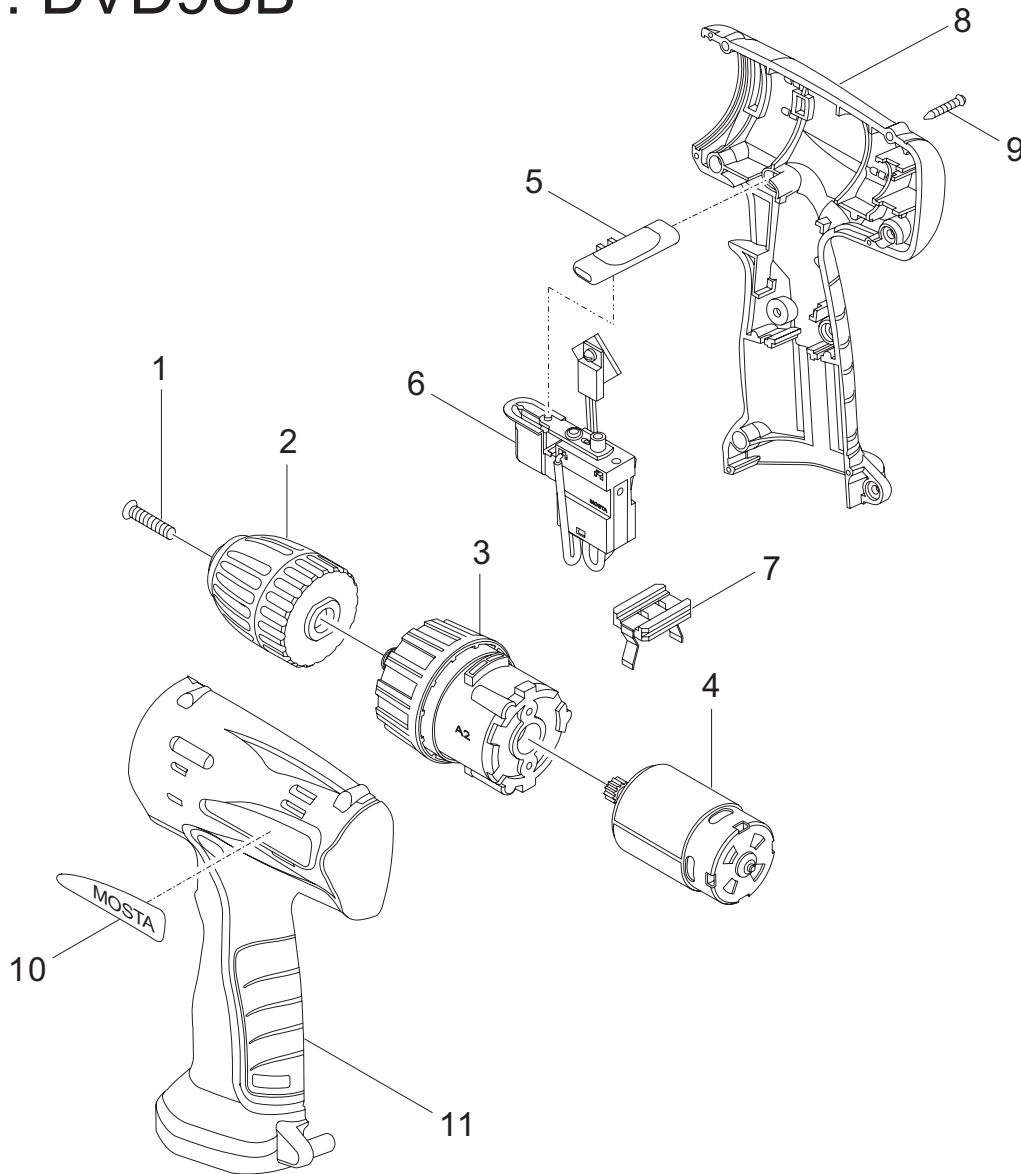


Parts Diagram

9.6V 3/8" (10MM)
CORDLESS DRIVER DRILL
Model: DVD9SB



Item	Parts Number	Parts Description	Quantity	Item	Parts Number	Parts Description	Quantity
1	399002	SCREW M5X22	1	10	513000K-10	LABEL	1
2	399001	KEYLESS DRILL CHUCK	1	11	402000K-3	HOUSE SET (R)	1
3	299013K-2	GEAR MODULE	1	ACCESSORIES			
4	609100K-3	DC MOTOR	1		119230K-9	BATTERY (FEB8S)	2
5	499034	F/R CHANGE LEVER	1		119101K-1	CHARGER (MH9710)	1
6	699011K-2	SWITCH	1		399003	BIT 2# +	1
7	499000K-2	BATTERY HOLDER	1		500101K-2	PLASTIC TOOL CASE	1
8	402000K-3	HOUSE SET (L)	1				
9	399025	SCREW PT 3X14	8				