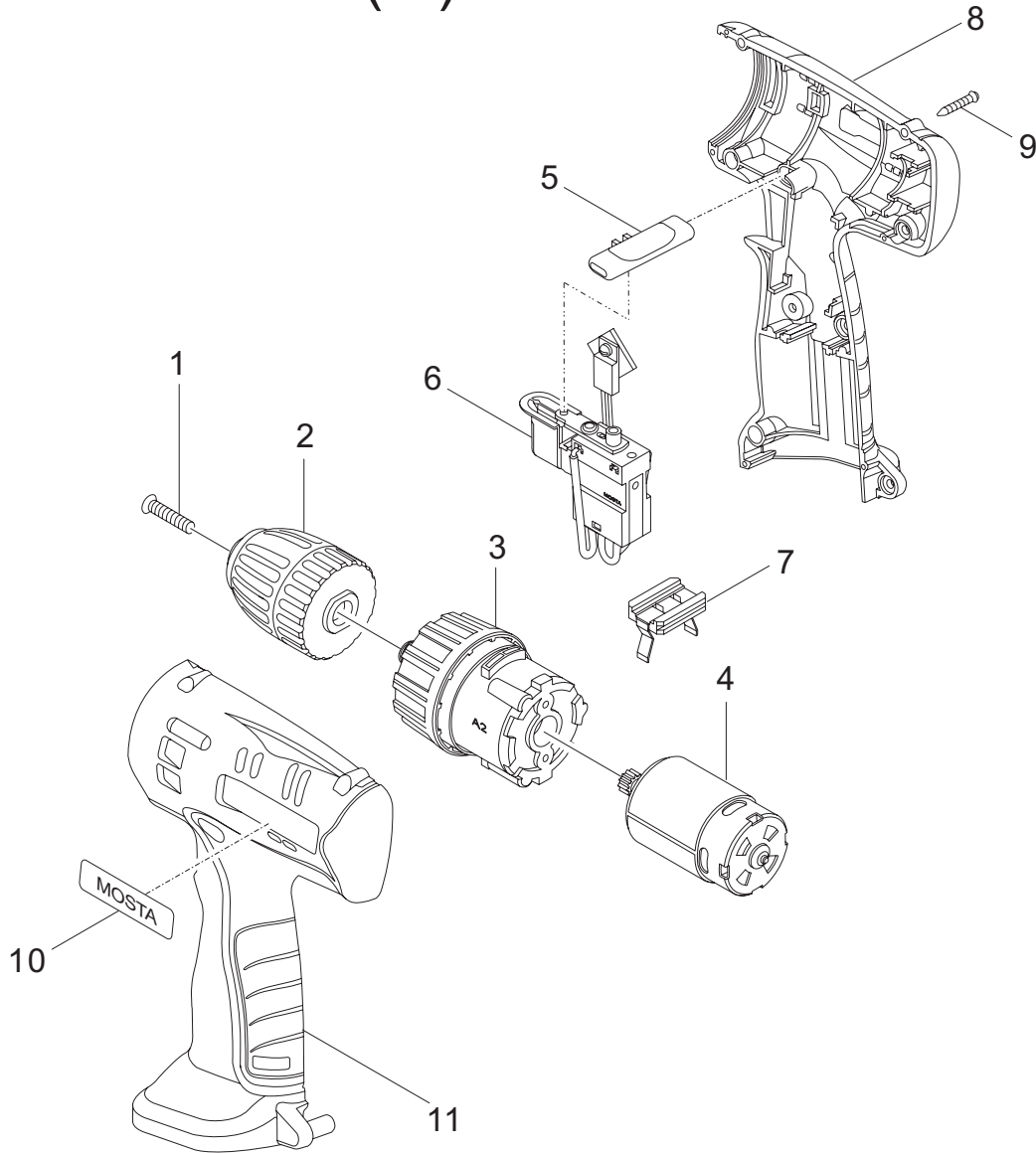


## Parts Diagram

18V 3/8" (10MM)  
CORDLESS DRIVER DRILL  
Model: DVD18SB2(M)



| Item | Parts Number | Parts Description   | Quantity | Item               | Parts Number | Parts Description | Quantity |
|------|--------------|---------------------|----------|--------------------|--------------|-------------------|----------|
| 1    | 399002       | SCREW M5X22         | 1        | 10                 | 402000K-4R   | HOUSE SET (R)     | 1        |
| 2    | 399001K-2    | KEYLESS DRILL CHUCK | 1        | <b>ACCESSORIES</b> |              |                   |          |
| 3    | 299013K-2    | GEAR MODULE         | 1        |                    | 119230K-3    | BATTERY (FEC15S)  | 2        |
| 4    | 609100K-6    | DC MOTOR            | 1        |                    | 119101K-3    | CHARGER (Mh9718)  | 1        |
| 5    | 499034       | F/R CHANGE LEVER    | 1        |                    | 399003       | BIT 2# +          | 1        |
| 6    | 699011K-2    | SWITCH              | 1        |                    | 500101K-5    | PLASTIC TOOL CASE | 1        |
| 7    | 499000K-2    | BATTERY HOLDER      | 1        |                    |              |                   |          |
| 8    | 402000K-4L   | HOUSE SET (L)       | 1        |                    |              |                   |          |
| 9    | 399025       | SCREW PT 3X14       | 8        |                    |              |                   |          |